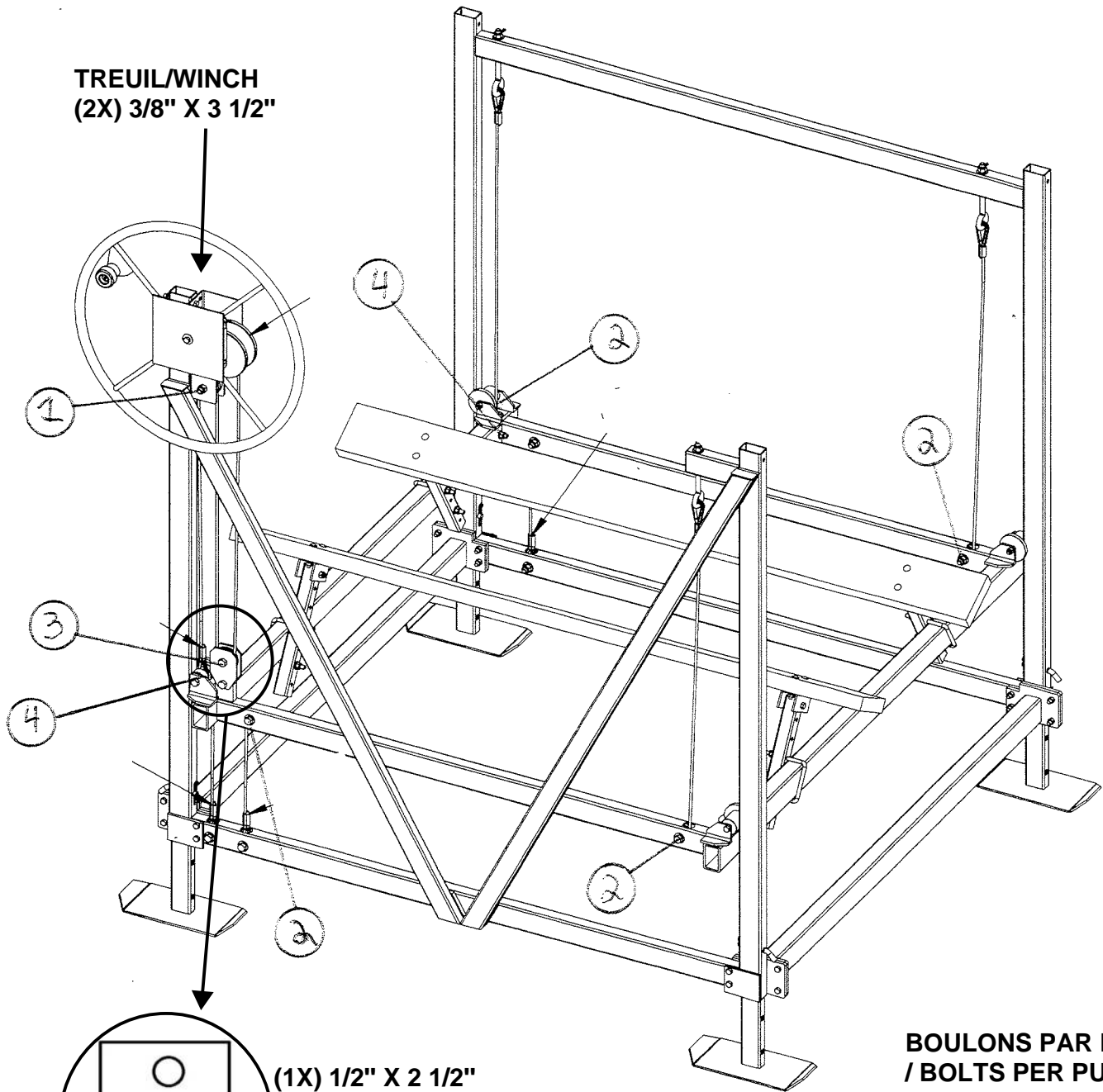


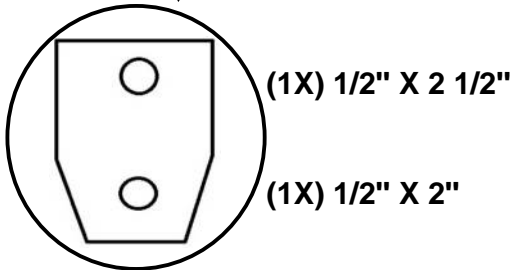
les Quais Bertrand inc.
 9371, boulevard Bourque
 Sherbrooke (Quebec)
 J1N 0G2



TREUIL/WINCH
 (2X) 3/8" X 3 1/2"

BOULONS PAR POULIES
/ BOLTS PER PULLEYS

- #1: (1X) 1/2" X 3 1/4"
- #2: (4X) 1/2" X 3"
- #4: (2X) 3/8" X 3"



Multimaster 1200V